

Connection Scheme
Admiral 40
Models: ADM40D & ADM40DDS



Valid from: August 05, 2007
 Updated: September 21, 2010

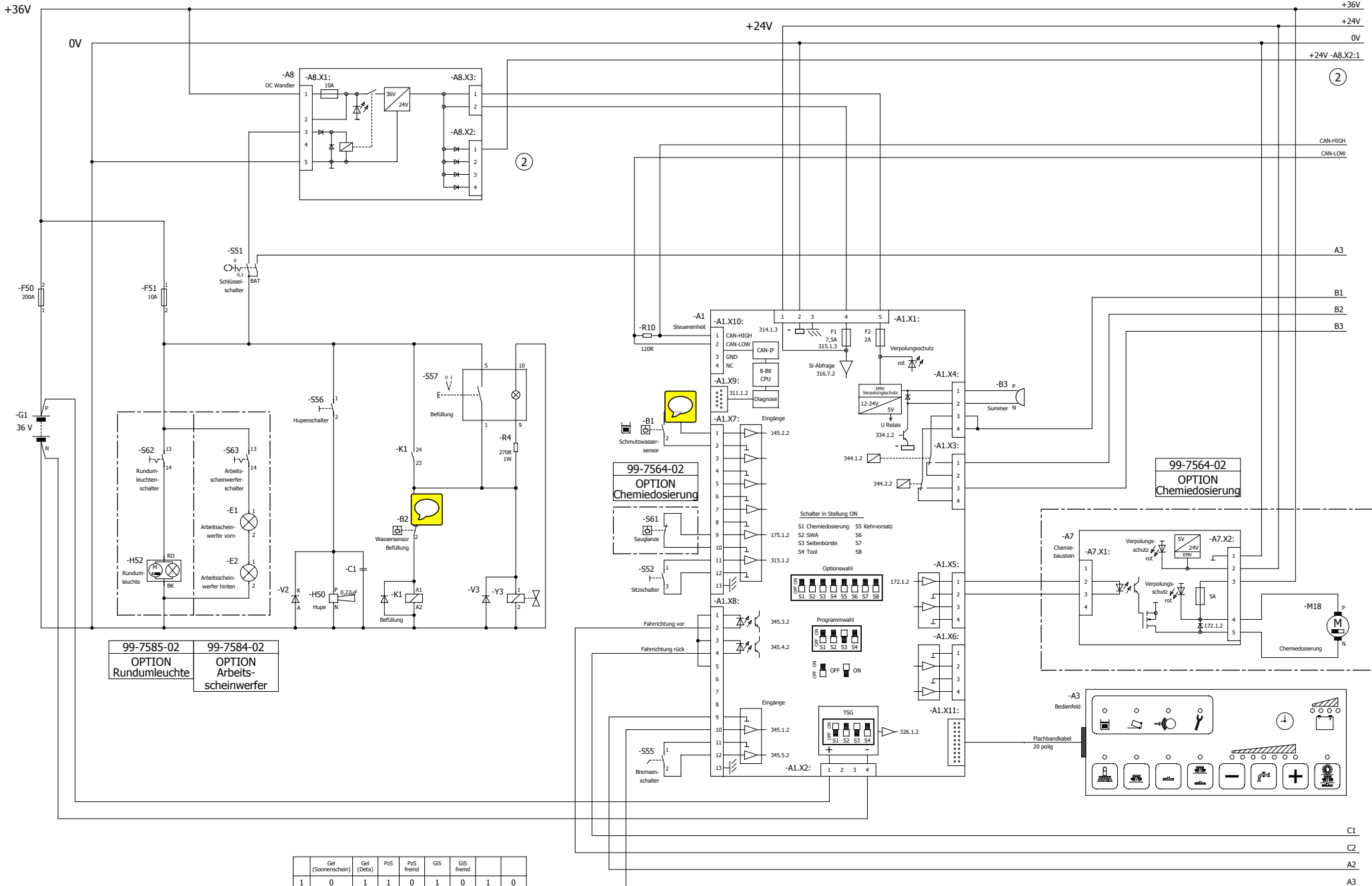
Ref.	Description	Part Number	Path
A1	Control unit, Function control	01175790	1.23
A2	Control panel (electr. module) pre-sweeper/side brush	00512490	2.32
A3	Standard control panel (electronic module B-type machine)	00712220	1.31
A4	Module 3E "Code A" (pre-sweeper OPTION)	00512460	3.13
A5	Module 1, Power motors	00752920	2.25
A6	Drive controller	01171320	2.11
A7	Module, Chemical agent (chemical agent dosage OPTION)	00512450	1.31
A8	DC/DC converter	00512440	1.9
A9	Module 3E "Code D" (side brush OPTION)	00512460	4.13
A10	Control panel (electric module) chemical agent / soiled water recycling	90493453	4.32
B1	Float switch, Recovery tank (soiled water)	00959650	1.19
B2	Float switch, Filling (filling OPTION)	00959650	1.12
B3	Alarm (Piezo buzzer) (signal transmitter)	00745850	1.29
C1	Capacitor, 0.22µF Horn	00980040	1.11
E1	Front working floodlight (working floodlight OPTION)	00980040	1.8
E2	Rear working floodlight (working floodlight OPTION)	00451320	1.8
F50	Fuse, 200A- Main	00101520	1.2
F51	Fuse, 10A- Working floodlight and rotating beacon OPTION	00874970	1.5
G1	Battery 36V, Wet 6V 395Ah (6 required)	956715	1.2
H50	Horn	00050810	1.10
H52	Rotating beacon (rotating beacon OPTION)	90196387	1.5
K1	Relay, Filling (filling OPTION)	00059550	1.12
K2	Relay, Soiled water recycling (soiled water recycling OPTION)	00120840	2.20
K3	Relay, Forward / reverse direction	01079810	2.6
M1	Water pump	97047310	2.22
M2	Soiled water recycling pump (soiled water recycling OPTION)	97047310	2.20
M3	Actuator, Squeegee (lifting element)	00650200	2.33
M4	Actuator, Side brush (lifting element) (side brush OPTION)	00142140	4.9
M5	Drive motor	00910150	2.16
M6	Actuator, Pre-sweeper (lifting element) (pre-sweeper OPTION)	00650110	3.9
M7	Cylindrical broom (pre-sweeper OPTION)	00911390	3.4
M7.S1	Thermal switch, Cylindrical broom (pre-sweeper OPTION)	part of M7	3.6
M8	Side broom 1, Right (pre-sweeper OPTION)	01057330	3.22
M8.S1	Thermal switch, Side broom 1 (pre-sweeper OPTION)	part of M8	3.23
M9	Side broom 2, Left (pre-sweeper OPTION)	01057330	3.22
M9.S1	Thermal switch, Side Broom 2 (pre-sweeper OPTION)	part of M9	3.23
M10	Actuator, Brush deck (lifting element)	00650110	2.37
M11	Filter shaker motor (pre-sweeper OPTION)	00512370	3.25
M12	Filter vacuum motor (pre-sweeper OPTION)	00512370	3.25
M13	Brush motor 1, Right	00650230	2.37
M13.S1	Thermal switch, brush motor 1	part of M13	2.38
M14	Brush motor 2, Left	00650230	2.37
M14.S1	Thermal switch, brush motor 2	part of M14	2.38
M15	Side brush motor (side brush OPTION)	00142130	4.6
M15.S1	Side brush thermal switch (side brush OPTION)	part of M15	4.7
M16	Vacuum motor 1, Left (suction turbine)	00911380	2.35
M17	Vacuum motor 2, Right (suction turbine)	00911380	2.38
M18	Chemical agent dosage (chemical agent dosage OPTION)	00112300	1.38
	RED= NON-Stock Item		

Connection Scheme
Admiral 40
Models: ADM40D & ADM40DDS



Valid from: August 05, 2007
 Updated: September 21, 2010

Ref.	Designation	Part Number	Path
R1	Drive potentiometer	00975500	2.4
R4	Resistor, 270Ω (filling OPTION)	19245109	1.15
R8	Resistor, 0.56Ω (pre-sweeper OPTION)	00903500	3.25
R9	Resistor, 0.56Ω (pre-sweeper OPTION)	00903500	3.25
R10	Terminating resistor CAN bus 120Ω	90266925	1.19
R11	Terminating resistor CAN bus 120Ω	90266925	2.22
S51	Key switch	90323437	1.8
S52	Seat switch (contact switch)	00041420	1.19
S53	Drive direction switch (toggle switch)	00697630	2.4
S54	Drive potentiometer switch (micro switch)	00975510	2.4
S55	Parking brake switch (stop light switch)	00028680	1.19
S56	Horn switch (push button switch)	00133770	1.10
S57	Filling switch (filling OPTION) (rocker switch)	00009050	1.14
S59	Dirt hopper switch (pre-sweeper OPTION) (push switch)	00927610	3.8
S60	Hood switch (pre-sweeper OPTION) (push switch)	00927610	1.19
S61	Suction lance switch (chemical agent dosage OPTION)	90045058	1.5
S62	Rotating beacon switch (rotating beacon OPTION) (rotary switch)	00521380	1.8
S63	Working floodlight switch (working floodlight OPTION) (rotary switch)	00521380	1.9
V2	Recovery diode for horn –H50	90194879	1.9
V3	Recovery diode for water valve for filling –Y3	90194879	1.14
Y1	Water valve, Brushes	00563220	2.22
Y2	Water valve, Soiled water recycling system (soiled water recycling OPTION)	00563220	2.20
Y3	Water valve, Filling (part of filling OPTION)	00651240	1.15
Y4	Water valve, Side brush (side brush OPTION)	00563220	4.23
	RED= NON-Stock Item		



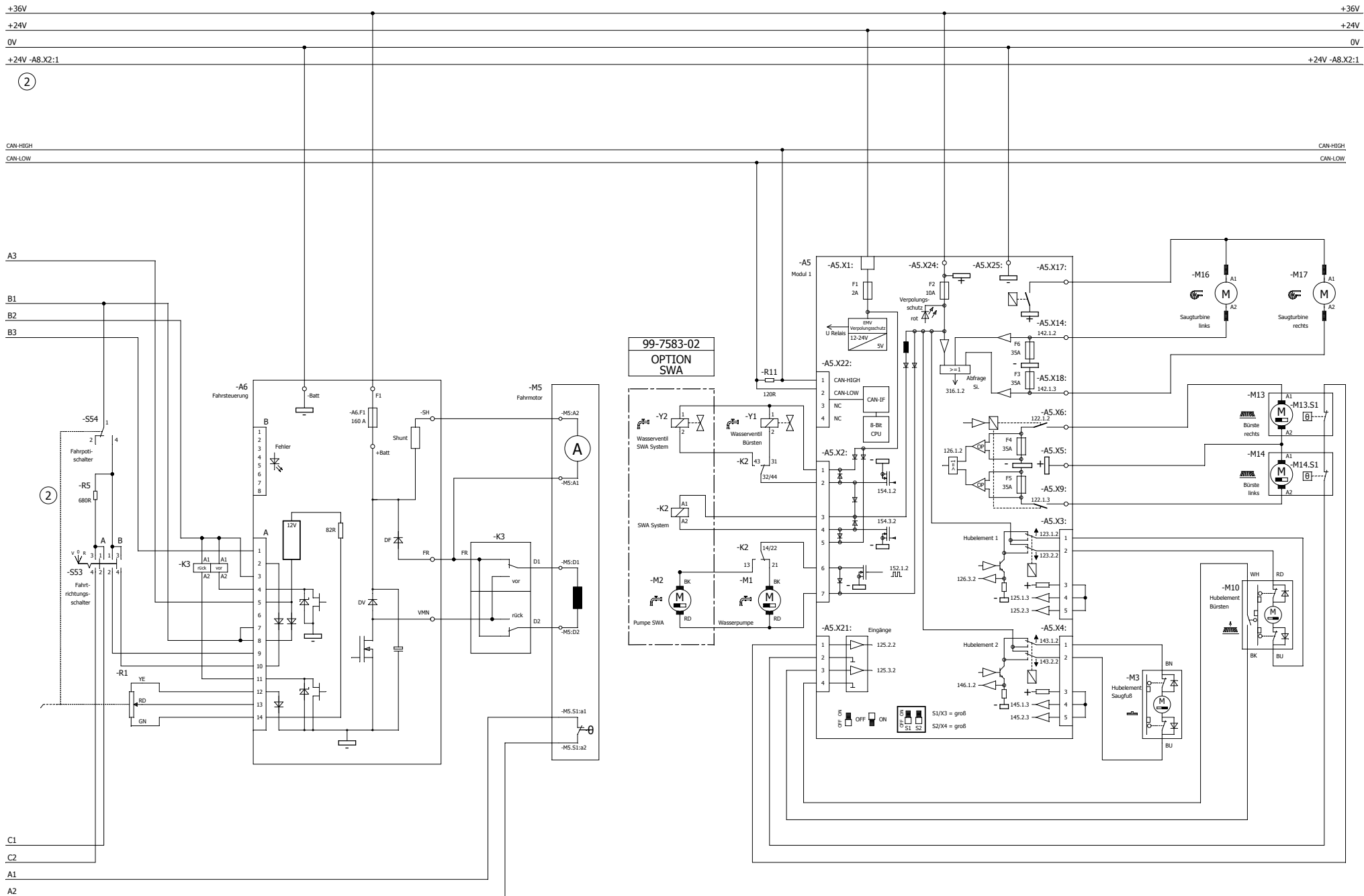
99-7585-02 OPTION Rundumleuchte	99-7584-02 OPTION Arbeits- scheinwerfer
--	---

99-7564-02 OPTION Chemiedosierung
--

99-7564-02 OPTION Chemiedosierung
--

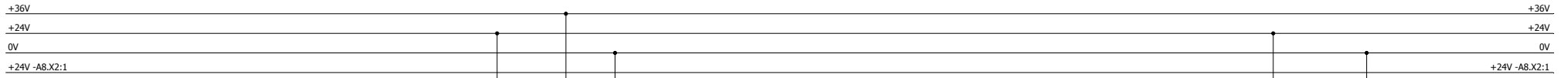
	Gel (Sonnenschein)	Gel (Data)	P/S	P/S frend	GIS	GIS frend		
1	0	1	1	0	1	0	1	0
2	1	1	0	0	1	1	1	0
3	1	1	1	1	0	0	0	0
4 ON = 24V / OFF = 36V								

PLOT.DATUM : 14.08.2007 B-Stand : 003 / Zim. / 09.08.07 [004 / kupe / 09.08.07]

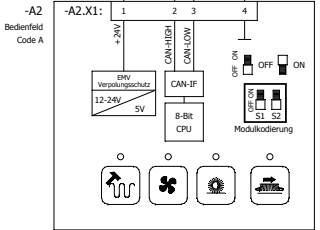


PLOT DATUM : 14.08.2007 B-Stand : 003 / Zim. / 09.08.07 [004 / kupe / 09.08.07]

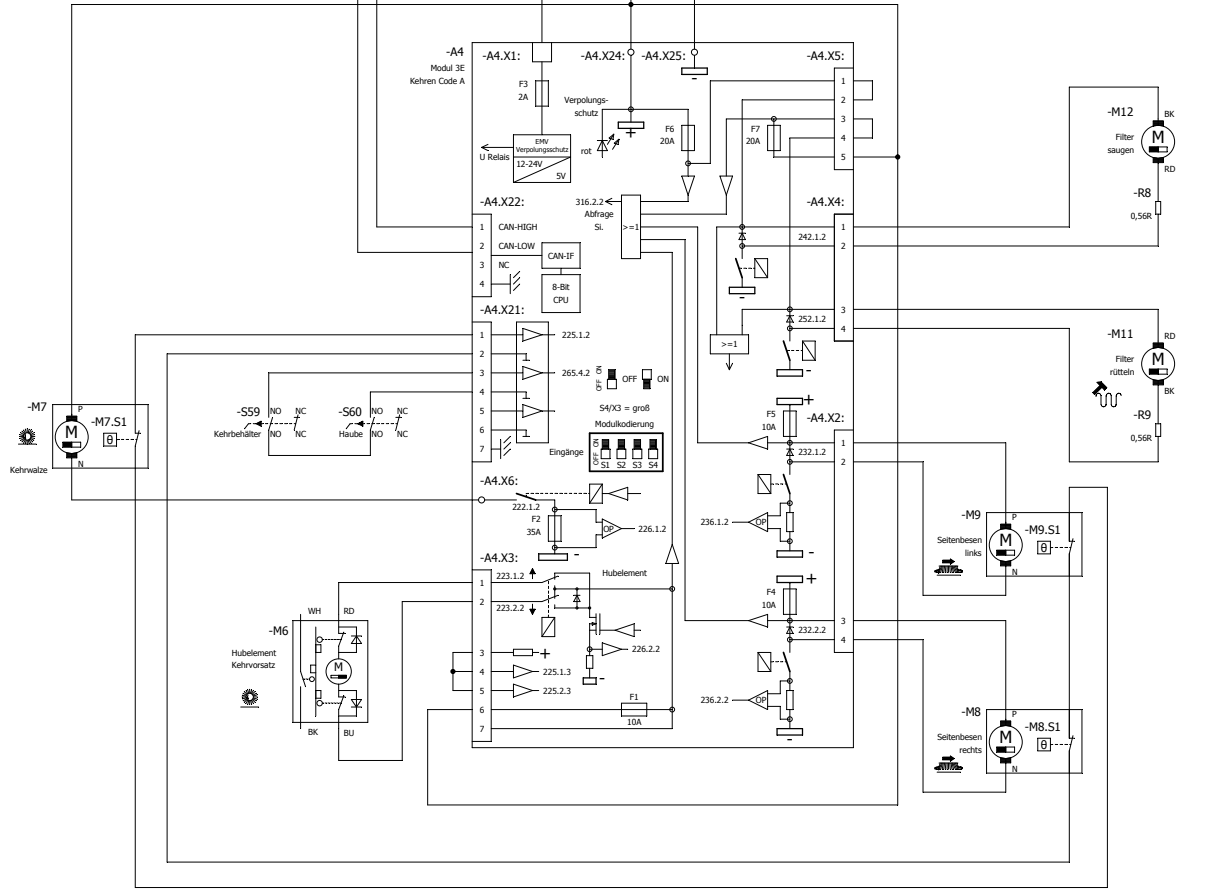
=	2	Zu	1000-00	09.08.07	Zim.	2006	Datum	Name	YES-Nr. :	Bearbeitung	CONNECTION SCHEME ADMIRAL 40 	Zeichnungs-Nr. 91025007
	+	Nr.	Zahl kommt vor	Änd.-Nr.	Datum	Name	Normgepr.	Änd. Nr. :	0901-01	Für diese Zeichnung behalten wir uns alle Rechte vor. (Gemäß DIN 34)		



99-7581-02
OPTION
Kehrvorsatz



Kehrvorsatz / Seitenbürste



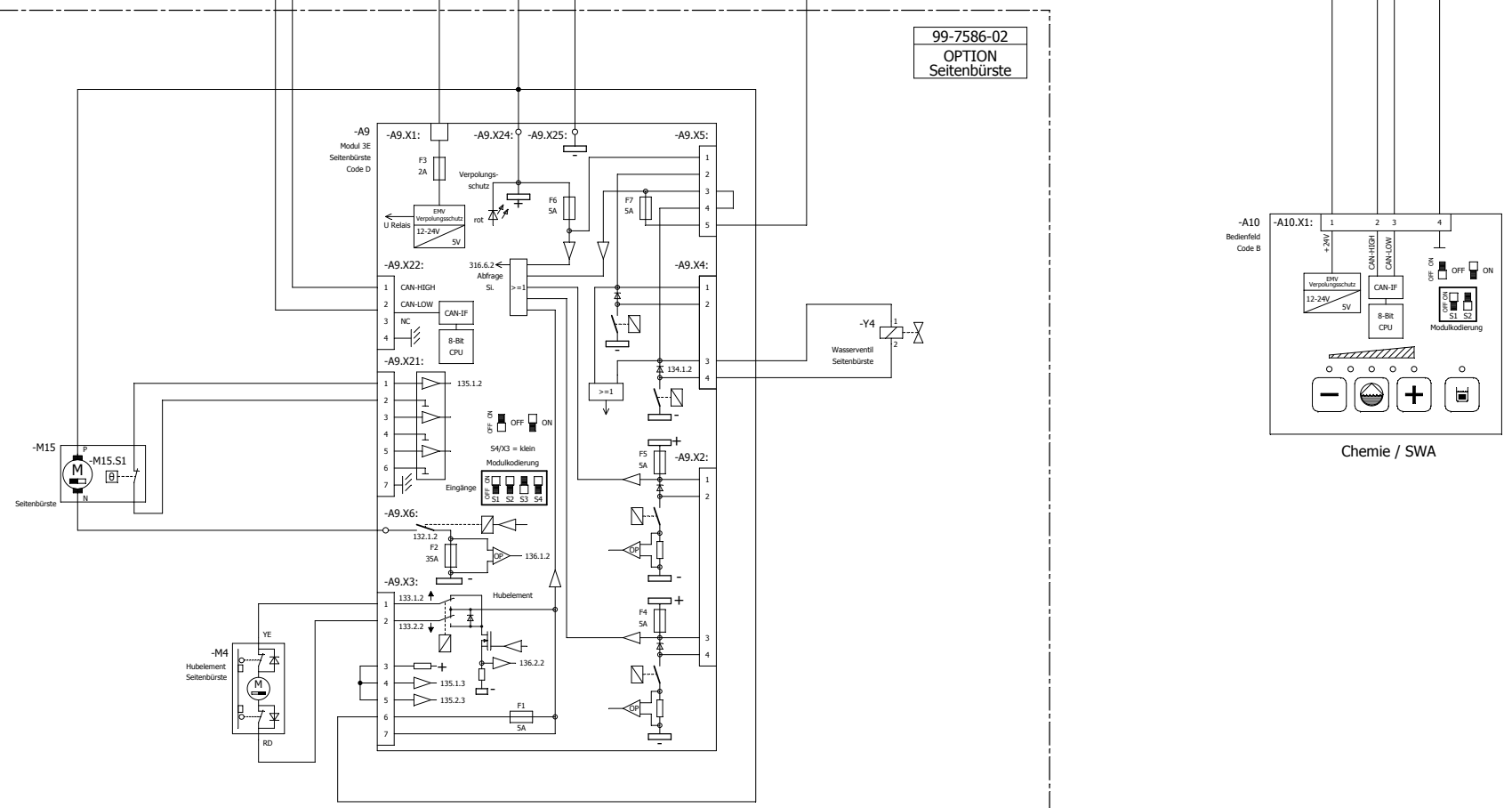
PLOT DATUM : 14.08.2007 B-Stand : 003 / Zim. / 09.08.07 [004 / kupe / 09.08.07]

=	2	J.	1000-00	09.08.07	Zim.	2006	Datum	Name	YES-Nr. :	Benennung		Zeichnungs-Nr. 91025007
								kupe	Erstausf. für : GLNr.	CONNECTION SCHEME ADMIRAL 40		
+	Nr.	Zahl kommt vor	Änd.-Nr.	Datum	Name				Änd. Nr. :	Für diese Zeichnung behalten wir uns alle Rechte vor (Gemäß DIN 34)	Typ: 7580-02	Blattzahl: 6 Blatt: 3
									0901-01			

+36V
+24V
0V
+24V -A8.X2:1

CAN-HIGH
CAN-LOW

99-7586-02
OPTION
Seitenbürste



PLOT DATUM : 14.08.2007 B-Stand : 003 / Zim. / 09.08.07 [004 / kupe / 09.08.07]

=	2	J.	1000-00	09.08.07	Zim.	2006	Datum	Name	YES-Nr. :	Benennung	Zeichnungs-Nr. 91025007
							Gezeichnet	29.09. kupe	Ersatz für :	GLNr.	
+							Geprüft		Änd. Nr. :	0901-01	Typ: 7580-02 Blattzahl: 6 Blatt: 4